

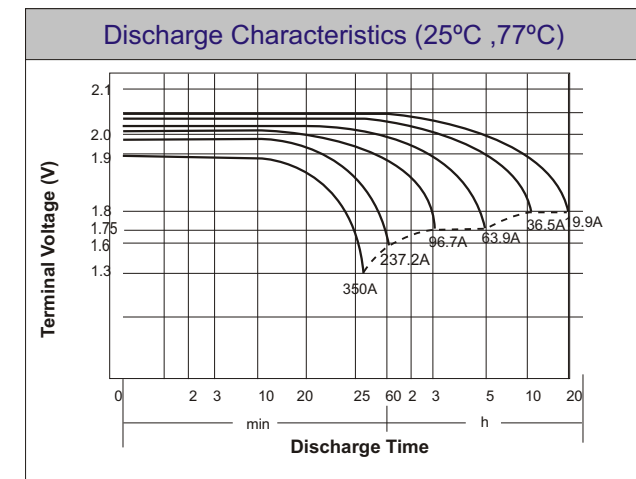
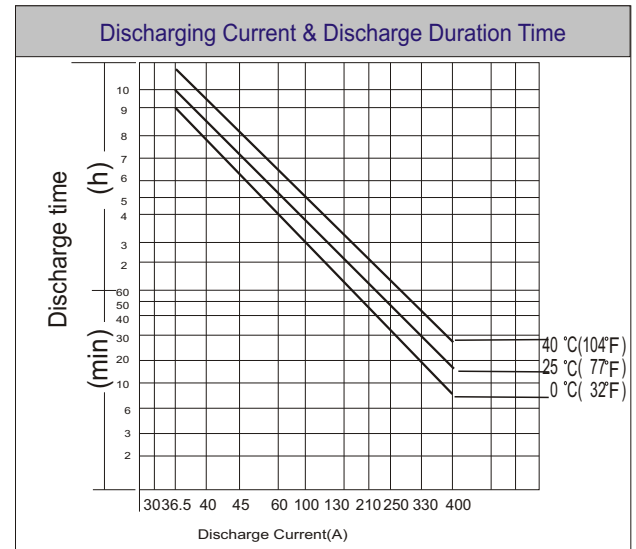
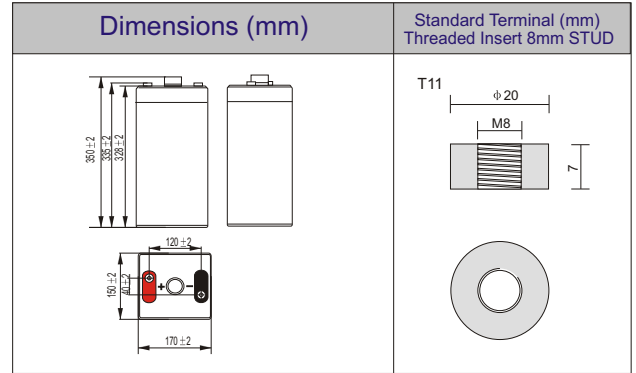


POWER-GUARD SERIES®



PG2V400

VRLA Sealed Long Life Battery



Physical Specification		
Nominal Voltage	2V	
Nominal Capacity (20HR)	398AH	
Dimension	Length	170±2mm (6.69 inches)
	Width	150±2mm (5.91 inches)
	Container Height	328±2mm (12.91 inches)
	Total Height (with Terminal)	350±2mm (13.78 inches)
Weight	Approx 24.5 kg (54.06 lbs)	
Standard Terminal	T11 Threaded Insert 8mm STUD	

Electrical Specification					
Rated Capacity	20 hour rate (19.9A)	398AH	Constant Voltage	Cycle	Initial Charging Current less than 105A. Voltage 2.40V~ 2.50V at 25°C (77°F) Temp. Coefficient -5mV/C
	10 hour rate (36.5 A)	365 AH			
	8 hour rate (43.8 A)	350 AH			
	5 hour rate (63.9 A)	319.5 AH			
	3 hour rate (96.7 A)	290.1 AH			
1 hour rate (237.2 A)	237.2 AH	Charge	Standby	No limit on Initial Charging Current Voltage 2.25V~2.30V at 25°C(77°F) Temp. Coefficient - 3mV/C	
Capacity affected by Temperature	40°C (104°F)				103%
	25°C (77°F)				100%
	0°C (32°F)	86%			

Constant Current (Amp) and Constant Power (Watt) Discharge Table (25°C,77°F)												
Amp/Watt/Cell	Time(minute)	30	45	60	120	180	240	300	360	480	600	1200
	Final voltage	1.3	1.3	1.6	1.7	1.75	1.75	1.75	1.75	1.8	1.8	1.8
Amps		364.9	255.4	237.2	131.4	96.7	76.6	63.9	56.6	43.8	36.5	19.9
W/Cell		689.7	507.2	469.6	261.3	192.7	152.9	127.8	113.1	87.5	73.0	39.8